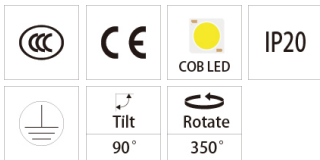
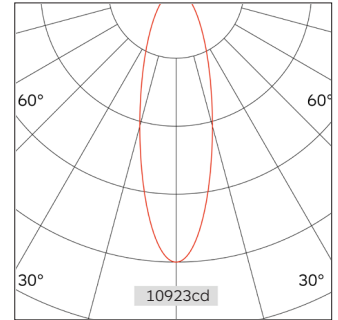
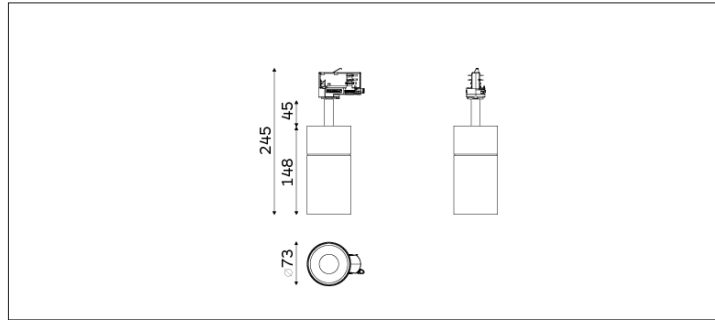


# 32.07313 EMMA Track Lighting



|                                |                          |
|--------------------------------|--------------------------|
| Light Distribution             | EMMA Track Lighting      |
| Colour Temperature             | 2700/3000/3500/4000K     |
| Colour Rendition Index         | CRI 90                   |
| Optics                         | LENS                     |
| Beam Angle                     | 14D/28D/40D/50D          |
| Track Phases                   | 1 Circuit / 3 Circuit    |
| Connected Load                 | 24W                      |
| Luminous Flux Of The Luminaire | 2963lm                   |
| Luminaire Efficacy             | 127lm/W                  |
| Colour Deviation               | SDCM < 5                 |
| Light Source                   | LED                      |
| LED Type                       | COB                      |
| Dimming Method                 | Triac/1-10V/ Dali        |
| Cover Material                 | Aluminum                 |
| Body Material                  | Aluminum                 |
| IP Rating                      | IP20                     |
| Housing Colour                 | Sandy White/ Sandy Black |
| Weight                         | 0.7Kg                    |
| Technical Region               | 220-240V 50/60Hz         |

| Light Beam Talbe |       |      |
|------------------|-------|------|
| h(m)             | E(lx) | D(m) |
|                  |       | 28°  |
| 1.0              | 10923 | 0.50 |
| 2.0              | 4854  | 0.75 |
| 3.0              | 2730  | 1.00 |
| 4.0              | 1747  | 1.25 |
| 5.0              | 1213  | 1.50 |

Application areas: retail, museums, hospitality, residential, offices and lobbies.