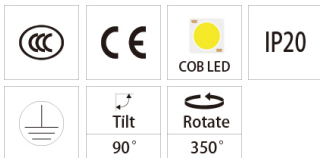
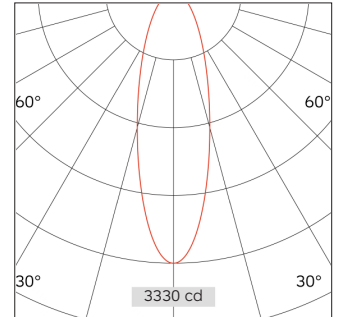
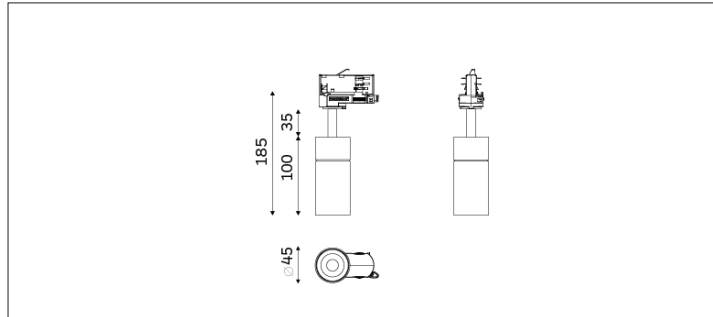


32.04515 EMMA TRACK LIGHT



| | |
|--------------------------------|--------------------------|
| Light Distribution | Track Lighting |
| Colour Temperature | 2700/3000/3500/4000K |
| Colour Rendition Index | CRI 90 |
| Optics | LENS |
| Beam Angle | 19D/29D/44D/56D |
| Track Phases | 1 Circuit/ 3 Circuit |
| Connected Load | 11W |
| Luminous Flux Of The Luminaire | 935lm |
| Luminaire Efficacy | 87lm/W |
| Colour Deviation | SDCM < 5 |
| Light Source | LED |
| LED Type | COB |
| Dimming Method | Triac/1-10V/ Dali |
| Cover Material | Aluminum |
| Body Material | Aluminum |
| IP Rating | IP20 |
| Housing Colour | Sandy White/ Sandy Black |
| Weight | 0.25Kg |
| Technical Region | 220-240V 50/60Hz |

| Light Beam Talbe | | |
|------------------|-------|------|
| h(m) | E(lx) | D(m) |
| | | 29° |
| 1.0 | 3330 | 0.53 |
| 2.0 | 1480 | 0.80 |
| 3.0 | 832 | 1.06 |
| 4.0 | 533 | 1.33 |
| 5.0 | 370 | 1.60 |

Application areas: retail, museums, hospitality, residential, offices and lobbies.