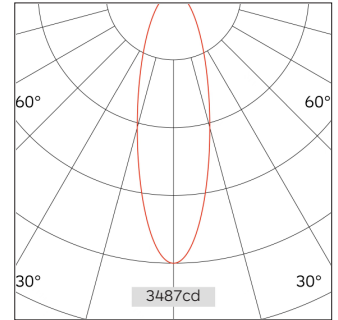
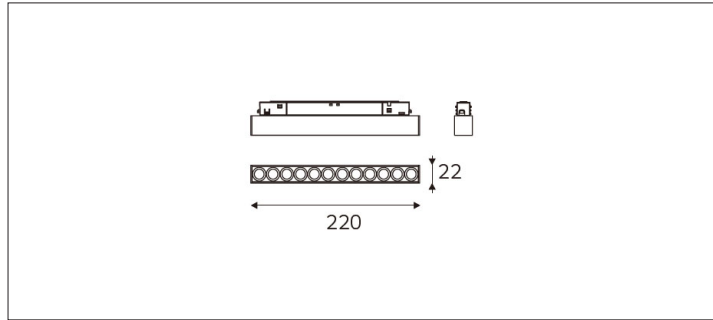
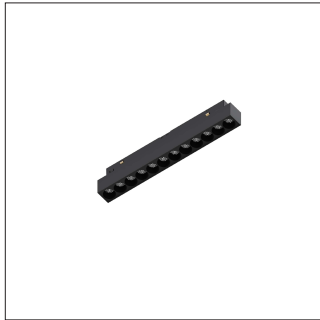


61.02359 MAGENTRA Low Voltage Linear Light



Connected Load	11W
Colour Temperature	2700/3000/3500/4000K
Colour Rendition Index	CRI 90
Optics	LENS
Beam Angle	19D/28D/40D
Track	Low Voltage Track
Light Distribution	Magenta Linear Lighting
Luminous Flux Of The Luminaire	1018lm
Luminaire Efficacy	98lm/W
Colour Deviation	SDCM < 5
Light Source	LED
LED Type	SMD
Dimming Method	1-10V/ Dali
Cover Material	Aluminum
Body Material	Aluminum
IP Rating	IP20
Housing Colour	Matt White/ Matt Black
Weight	0.3Kg
Technical Region	Input 48V

Light Beam Table

H(m)	E(lx)	D(m)
		28°
1.0	3487.66	0.50
2.0	871.91	1.00
3.0	387.52	1.50
4.0	217.98	1.99
5.0	139.51	2.49

Widely used in commercial applications including fashion stores, furniture exhibitions, branded boutiques, vehicle display halls, jewelry galleries, high-end hotels, retail chains, museums, display windows, checkout counters, and other areas needing focused accent lighting.