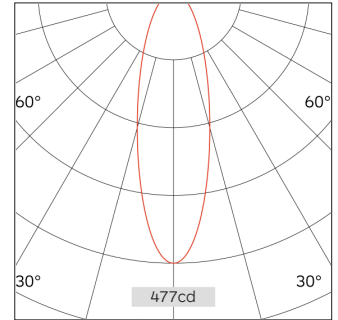
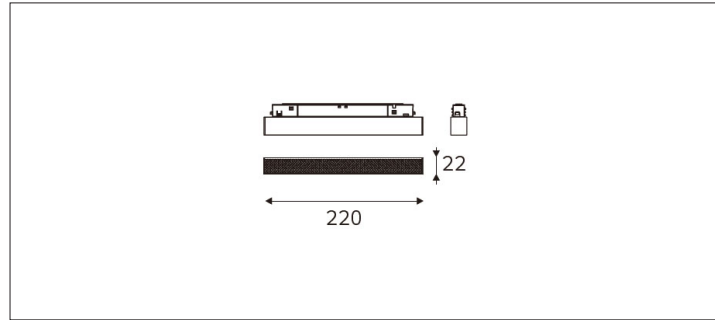
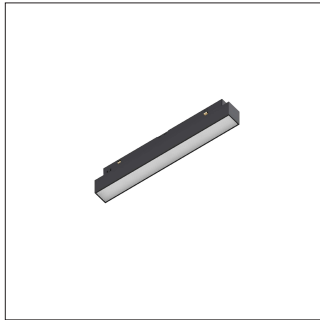


61.02356 MAGENTRA Low Voltage Linear Light



Connected Load	10W
Colour Temperature	2700/3000/3500/4000K
Colour Rendition Index	CRI 90
Optics	PC Cover
Beam Angle	wide flood 90°
Track	Low Voltage Track
Light Distribution	MAGENTRA Linear Lighting
Luminous Flux Of The Luminaire	835lm
Luminaire Efficacy	82lm/W
Colour Deviation	SDCM <5
Light Source	LED
LED Type	SMD
Dimming Method	1-10V/ Dali
Cover Material	Aluminum
Body Material	Aluminum
IP Rating	IP20
Housing Colour	Matt White/ Matt Black
Weight	0.3Kg
Technical Region	Input 48V

Light Beam Talbe		
h(m)	E(lx)	D(m)
		90°
1.0	477.44	1.72
2.0	119.36	3.44
3.0	53.05	5.16
4.0	29.84	6.88
5.0	19.10	8.60

Widely used in commercial applications including fashion stores, furniture exhibitions, branded boutiques, vehicle display halls, jewelry galleries, high-end hotels, retail chains, museums, display windows, checkout counters, and other areas needing focused accent lighting.